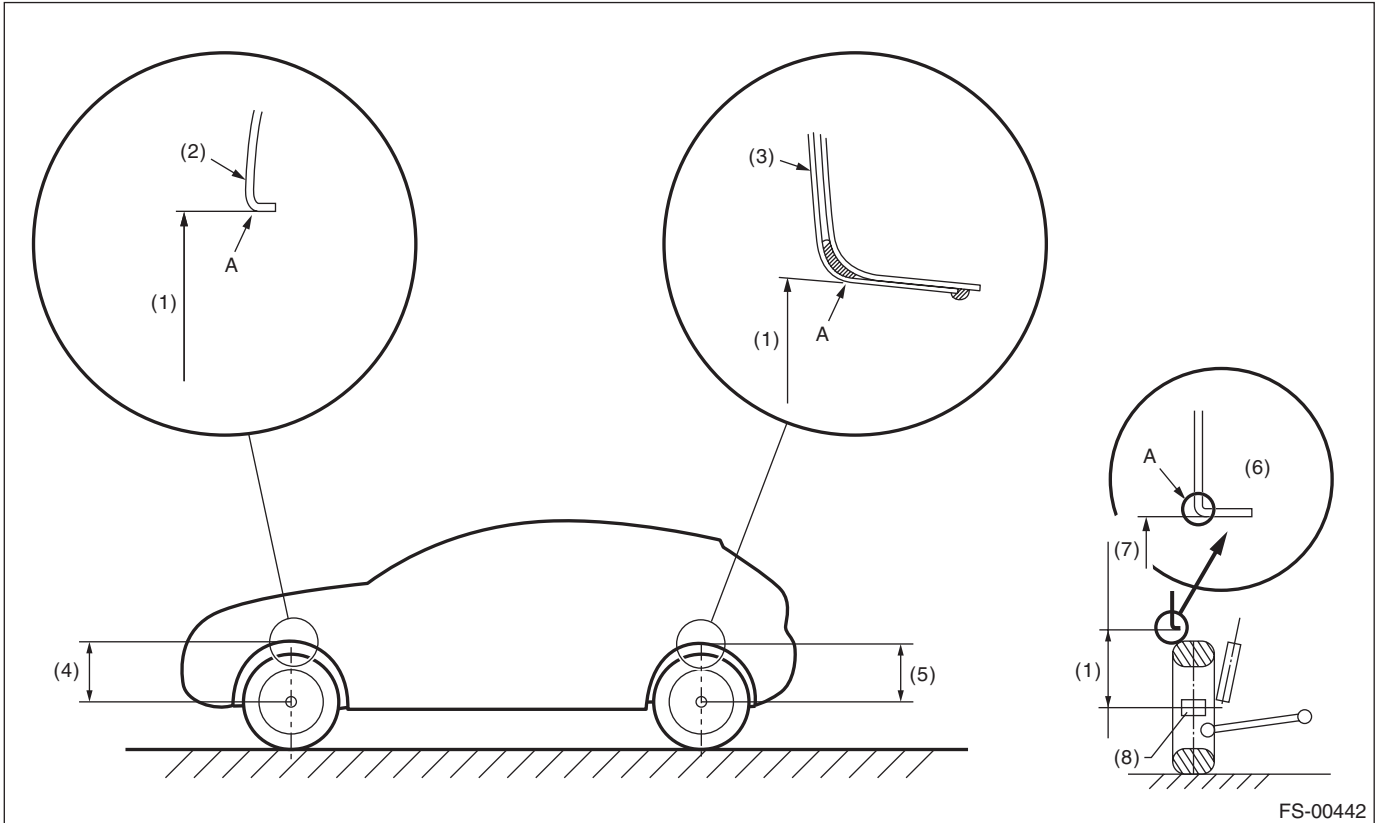


Wheel Alignment

1. WHEEL ARCH HEIGHT

- 1) Park the vehicle on a level surface.
- 2) Empty the vehicle so that it is at “curb weight”. (Empty the luggage compartment, load the spare tire, jack and service tools, and fill up the fuel tank.)
- 3) Set the steering wheel in a straight-ahead position, and stabilize the suspension by moving the vehicle in a straight line for 5 m (16 ft) or more.
- 4) Suspend a thread from the wheel arch (point “A” in the figure (FS-00442)) and affix at a position directly above the center of wheel.
- 5) Measure the distance between the point “A” (end of curve) and the center of wheel.



- | | | |
|-----------------------|-----------------------------|--------------------------|
| (1) Wheel arch height | (4) Front wheel arch height | (7) Point of measurement |
| (2) Front fender | (5) Rear wheel arch height | (8) End of spindle |
| (3) Rear quarter | (6) Flange bend line | |

Wheel arch height specification mm (in) (Tolerance $+12\text{ mm}$ -24 mm ($+0.47\text{ in}$ -0.94 in))		
Model	Except for STI model	STI model
Front	376 (14.8)	371 (14.6)
Rear	370 (14.6)	365 (14.4)

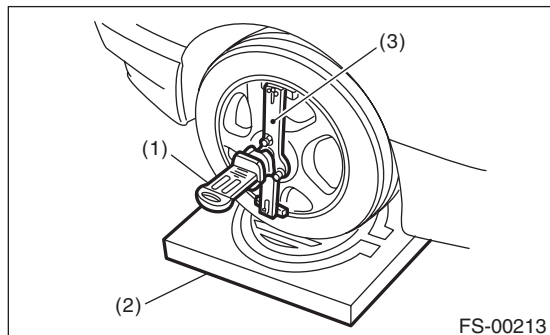
Wheel Alignment

FRONT SUSPENSION

2. CAMBER

• Inspection

- 1) Place the front wheel on the turning radius gauge. Make sure the ground contact surfaces of the front and rear wheels are at the same height.
- 2) Set the adapter into the center of wheel, and then set the wheel alignment gauge.



- (1) Alignment gauge
- (2) Turning radius gauge
- (3) Adapter

- 3) Measure the camber angle in accordance with the operation manual for wheel alignment gauge.

Model	Camber (Difference between RH and LH 45' or less)
Except for STI model	$-0^{\circ}50' \pm 0^{\circ}45'$
STI model	$-0^{\circ}45' \pm 0^{\circ}45'$

• Front camber adjustment

- 1) When adjusting the camber, adjust it to the following value.

Model	Camber (Difference between RH and LH 30' or less)
Except for STI model	$-0^{\circ}50' \pm 0^{\circ}30'$
STI model	$-0^{\circ}45' \pm 0^{\circ}30'$

- 2) Loosen the two flange nuts located at the front lower section of the strut.

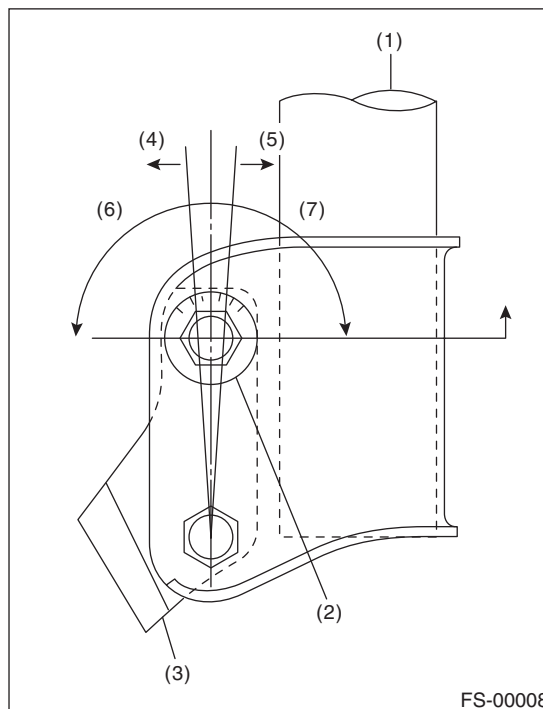
NOTE:

When the adjusting bolt needs to be loosened or tightened, hold its head with a wrench and turn the flange nut.

- 3) Turn the camber adjusting bolt so that the camber is set at specification.

NOTE:

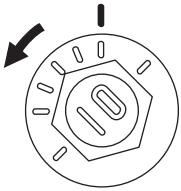
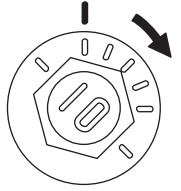
Moving the adjusting bolt by one scale changes the camber by approximately $0^{\circ}15'$.

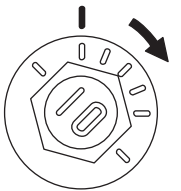
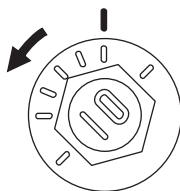


- (1) Strut
- (2) Adjusting bolt
- (3) Housing
- (4) Outer
- (5) Inner
- (6) Camber is increased.
- (7) Camber is decreased.

Wheel Alignment

FRONT SUSPENSION

To increase camber.	
Rotate the left side counterclockwise.	Rotate the right side clockwise.
	
FS-00009	FS-00010

To decrease camber.	
Rotate the left side clockwise.	Rotate the right side counterclockwise.
	
FS-00010	FS-00009

4) Tighten two new flange nuts.

Tightening torque:

155 N·m (15.8 kgf·m, 114.3 ft·lb)

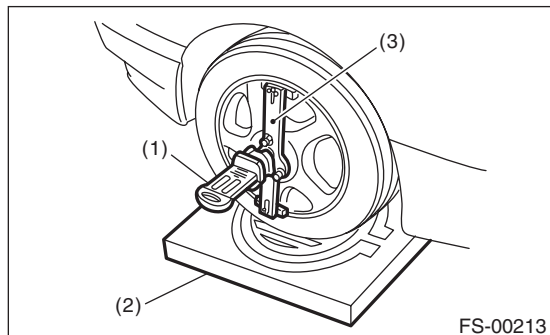
Wheel Alignment

FRONT SUSPENSION

3. CASTER

• Inspection

- 1) Place the front wheel on the turning radius gauge. Make sure the ground contact surfaces of the front and rear wheels are at the same height.
- 2) Set the adapter into the center of wheel, and then set the wheel alignment gauge.



- (1) Alignment gauge
- (2) Turning radius gauge
- (3) Adapter

- 3) Measure the caster angle in accordance with the operation manual for wheel alignment gauge.

Model	Caster
Except for STI model	6°30'
STI model	6°30'

4. STEERING ANGLE

• Inspection

- 1) Place the vehicle on turning radius gauge.
- 2) While depressing the brake pedal, turn the steering wheel fully to the left and right. With the steering wheel held at each fully turned position, measure both the inner and outer wheel steering angles.

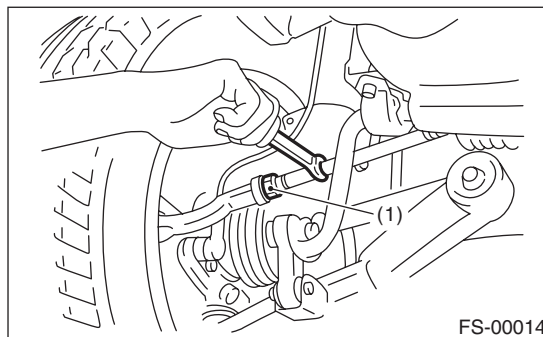
Model	Inner wheel	Outer wheel
Except for STI model	36.6°±1.5°	32.2°±1.5°
STI model	36.6°±1.5°	32.2°±1.5°

• Adjustment

- 1) Turn the tie-rod to adjust the steering angle of both inner and outer wheels.
- 2) Check the toe-in.

NOTE:

Correct the boot if it is twisted.



- (1) Lock nut

5. FRONT WHEEL TOE-IN

• Inspection

Toe-in:

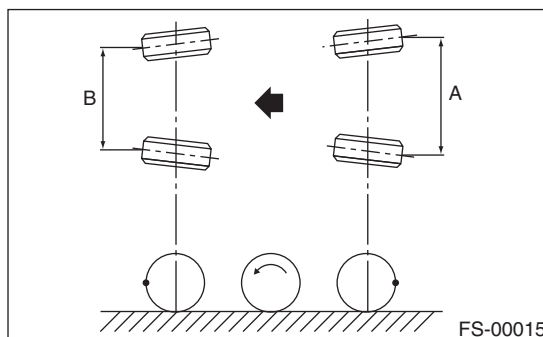
0±3 mm (0±0.12 in)

- 1) Set the toe-in gauge in the position at wheel axis center height behind the right and left front tires.
- 2) Place a mark at the center of both left and right tires, and measure distance "A" between the marks.
- 3) Move the vehicle forward to rotate the tires 180°.

NOTE:

- Be sure to rotate the tires in the forward direction.
- 4) Measure the distance "B" between the left and right marks. Find toe-in using the following calculation:

$$A - B = \text{Toe-in}$$



• Adjustment

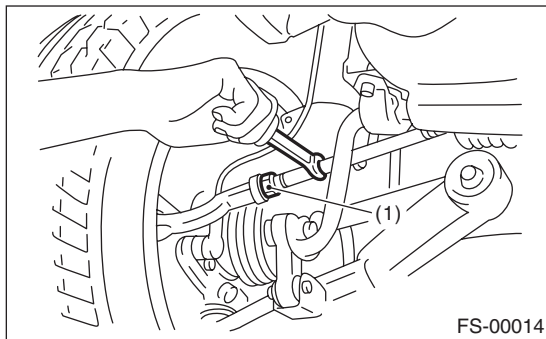
When adjusting the toe-in, adjust it to the following value.

Toe-in:

0 ± 2 mm (0 ± 0.08 in)

- 1) Check that the left and right wheel steering angles are within specification.
- 2) Loosen the left and right side steering tie-rod lock nuts.
- 3) Turn the left and right tie-rods by equal amounts until the toe-in is at the specification.

Both the left and right tie-rods are right-hand threaded. To increase toe-in, turn both tie-rods clockwise by equal amount (viewing from the inside of vehicle).



(1) Lock nut

- 4) Tighten the tie-rod lock nut.

Tightening torque:

85 N·m (8.7 kgf·m, 62.7 ft·lb)

NOTE:

Check and correct the tie-rod boot if twisted.

6. REAR WHEEL TOE-IN

• Inspection

Toe-in:

0 ± 3 mm (0 ± 0.12 in)

Refer to FRONT WHEEL TOE-IN for rear toe-in inspection procedures. <Ref. to FS-12, FRONT WHEEL TOE-IN, INSPECTION, Wheel Alignment.>

• Adjustment

When adjusting, adjust it to the following value.

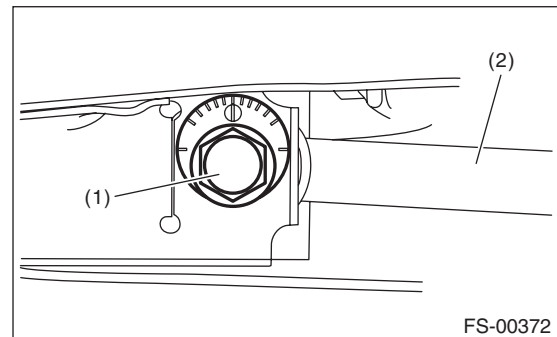
Toe-in:

0 ± 2 mm (0 ± 0.08 in)

- 1) Loosen the self-locking nut on the inner side of front lateral link.

NOTE:

When loosening or tightening the adjusting bolt, hold the bolt head and turn the self-locking nut.



(1) Adjusting bolt

(2) Lateral link

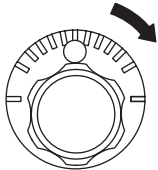
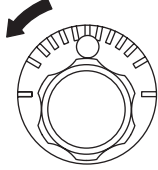
- 2) Turn the adjusting bolt until toe-in is within the specification.

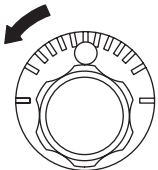
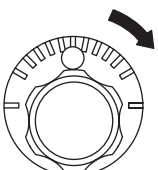
NOTE:

When the left and right wheels are adjusted for toe-in at the same time, the movement of one scale graduation changes toe-in by approx. 1.3 mm (0.05 in).

Wheel Alignment

FRONT SUSPENSION

To increase toe-in.	
Rotate the left side clockwise.	Rotate the right side counterclockwise.
	
FS-00018	FS-00019

To decrease toe-in.	
Rotate the left side counterclockwise.	Rotate the right side clockwise.
	
FS-00019	FS-00018

3) Attach and tighten a new self-locking nut.

Tightening torque:

100 N·m (10.2 kgf·m, 73.8 ft·lb)

7. THRUST ANGLE

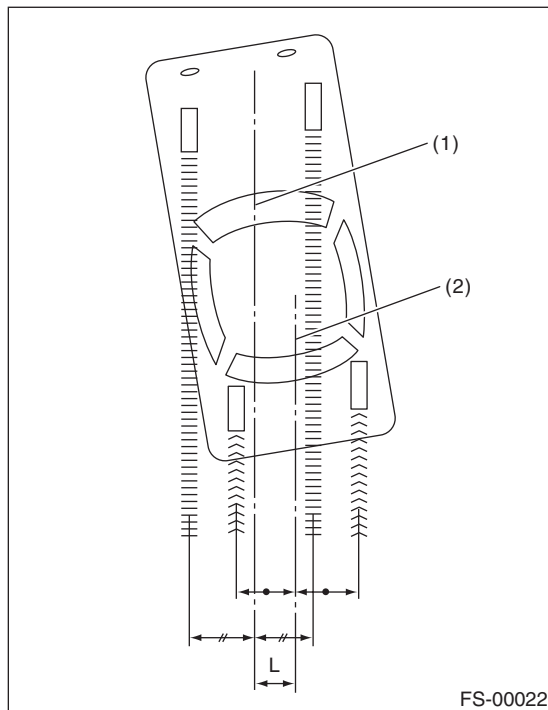
• Inspection

- 1) Park the vehicle on a level surface.
- 2) Move the vehicle 3 to 4 meters (10 to 13 feet) straight forward.
- 3) Draw the center of loci for both the front and rear axles.
- 4) Measure distance "L" between the center lines of the axle loci.

Thrust angle

$0^{\circ} \pm 30'$

Less than 30' when "L" is 23 mm (0.9 in) or less



- (1) Center line of loci (front axle)
- (2) Center line of loci (rear axle)

• Adjustment

When adjusting, adjust it to the following value.

Thrust angle

$0^{\circ} \pm 20'$

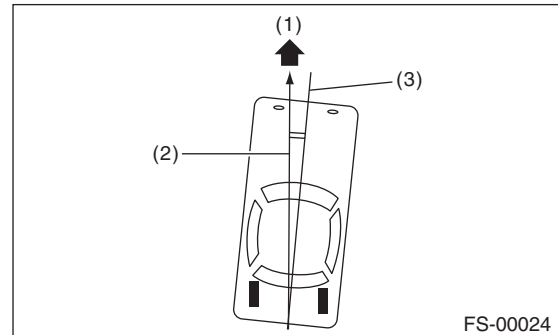
Less than 20' when "L" is 15 mm (0.6 in) or less

- 1) Make thrust angle adjustments by turning the toe-in adjusting bolts of the rear suspension equally in the same direction.
- 2) When one rear wheel is adjusted in a toe-in direction, adjust the other rear wheel equally in toe-out direction, in order to make the thrust angle adjustment.

- 3) When the left and right adjusting bolts are turned by one graduation, the thrust angle will change approx. 15' ("L" is approx. 11 mm (0.43 in)).

NOTE:

Thrust angle is a mean value of left and right wheel toe angles in relation to the vehicle body center line. Vehicle is driven straight in the thrust angle direction while slanting in the oblique direction depending on the degree of the mean thrust angle.



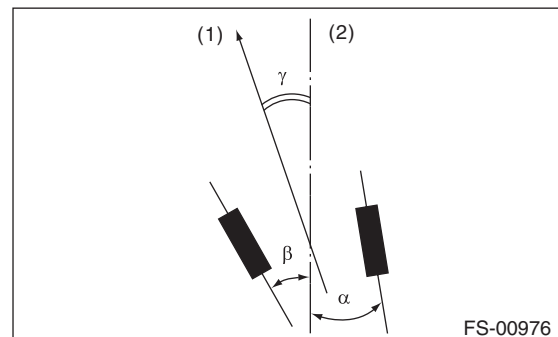
- (1) Front
- (2) Thrust angle
- (3) Body center line

Thrust angle: $\gamma = (\alpha - \beta)/2$

α : Rear RH wheel toe-in angle

β : Rear LH wheel toe-in angle

Substitute only the positive toe-in values from each wheel into α and β in the calculation.



- (1) Front
- (2) Body center line